



DIRECTIONAL LEDS



3811 / 3861 SERIES

SAE Class I Surface / Grommet Mount

3811 and 3861 Series directional LEDs feature 20 high-intensity LEDs with individual reflectors to provide truly outstanding light output in a very cost-effective package. Single- or dual-color models provide synchronization capability, and are available in either surface- or grommet-mount configurations—offering fit-and-forget, maintenance-free operation and low amp draw.

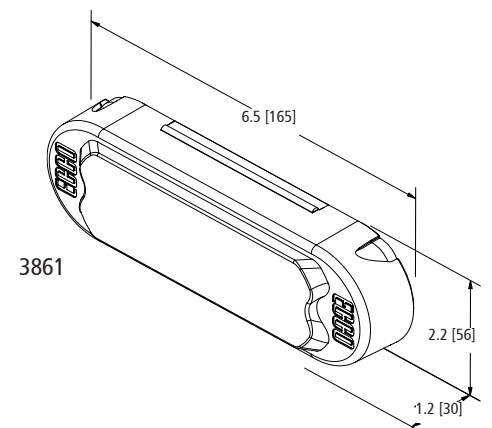
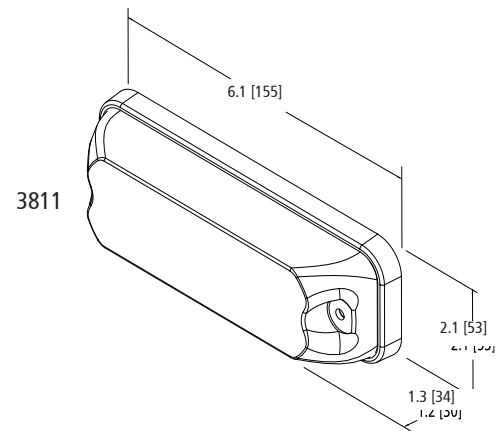
Models

PART NO.	COLOR	VOLTAGE	AMPS	MOUNT
3811X	Choose Color	12-24	0.26	Surface
3861X	Choose Color	12-24	0.26	Grommet
3811AC	Amber/Clear	12-24	0.4	Surface
3861AC	Amber/Clear	12-24	0.4	Grommet

Replace X in part number with desired color: A=amber, B=blue, C=clear, R=red

Features and Benefits

- Tough, clear polycarbonate housing with encapsulated electronics
- Seven flash patterns for single-color and 41 flash patterns for dual-color
- Synchronizable with additional 3811/3861
- Discrete units are colorless when not illuminated
- Grommet-mount versions fit standard oval rear lighting grommet
- Temperature Range: -40°F to +158°F (-40°C to +70°C)



Accessories



T 800-635-5900 | orders@eccogroup.com