

REVISION HISTORY		
REV.	DESCRIPTION	DATE
02	REVISED PER LM11233	2013-02-25
A	INITIAL RELEASE PER LM11233	2013-02-26
B	REVISE PER LM11233	2013-06-06

SPECIFICATIONS

- CERTIFICATIONS: **CE**; ECE R10; SAE J595 (NOV. 2008), CLASS 1 YELLOW (AMBER);
 Note: Unique components, accessories, and hardware kits are not typically included in the Product Certification Test Protocols. Unless otherwise Specified, the Product Certifications referred to herein are predicated upon the base product model configuration.
 - FLASH MODE: SINGLE : 120 ± 5 FLASHES PER MINUTE
 DOUBLE : 120 ± 5 FLASHES PER MINUTE
 QUAD : 130 ± 5 FLASHES PER MINUTE
 - VOLTAGE (NOMINAL): 12 to 24 VDC
 - VOLTAGE (EXTREME): 9.0 to 32 VDC
 - CURRENT (PEAK): SEE CHART (@ 12 VDC NOMINAL)
 - POWER (MAXIMUM): SEE CHART (@ 12 VDC NOMINAL)
 - TEMPERATURE RANGE: -22°F (-30°C) TO 122°F (50°C)
 - CONNECTION: 4-22 AWG WIRES
 - MOUNTING: 2 BOLT MOUNT
 - BASE MATERIAL: POLYCARBONATE
 - LENS MATERIAL: POLYCARBONATE
 - PRODUCT WEIGHT: 0.3 LBS (0.14 Kg)
- 4-22 AWG WIRES
 RED WIRE: POSITIVE(+)
 BLACK WIRE: NEGATIVE(-)
 YELLOW WIRE: SYNC
 BLUE WIRE: FLASH PATTERN SET

FGS PRODUCT CHART				
FGS. NO.	COLOR	CURRENT (PEAK)	POWER (PEAK)	SAE J595 (2008)
3811A	AMBER	0.3	4.3	CLASS 1
3811B	BLUE	0.4	4.9	CLASS 1
3811C	CLEAR	0.4	4.9	CLASS 1
3811R	RED	0.3	4.3	CLASS 1

NOTES:
 1. DIMENSIONS IN INCHES[MILLIMETERS (FOR REFERENCE)]

SCALE 1:2		APPROVALS	DATE
CAD GENERATED DRAWING DO NOT MANUALLY UPDATE. MODEL REFERENCED:A		DRAWN BY BND	2013-06-04
TOLERANCES ARE IN INCHES, AND MILLIMETERS TOLERANCES ARE:		CHECKED MDH	2013-06-05
MILLIMETERS DECIMALS XX. ± 1.0mm XX.X ± 0.5mm	INCHES DECIMALS X.X ± 0.1 X.XX ± 0.04 X.XXX ± 0.02	MECH. ENG. JLA	2013-06-04
		ELEC. ENG. TJT	2013-06-04
		TEST ENG. JRT	2013-06-06
		SALES. GLB	2013-06-05

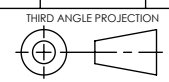
ECCO® Electronic Controls Co.
 833 West Diamond Street, Boise, ID 83705
 800-635-5900
 www.eccolink.com

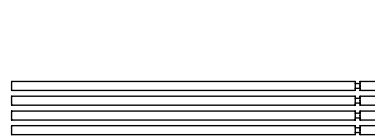
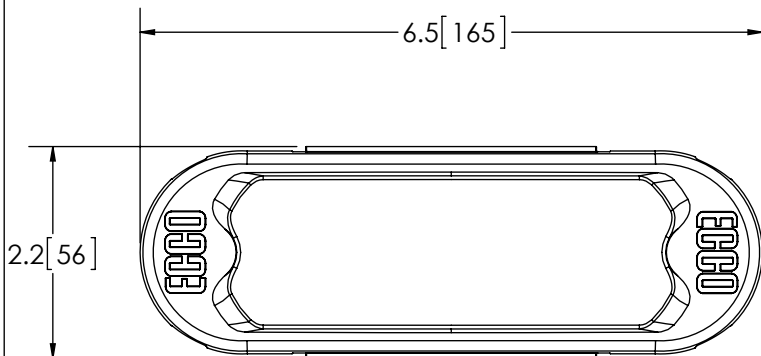
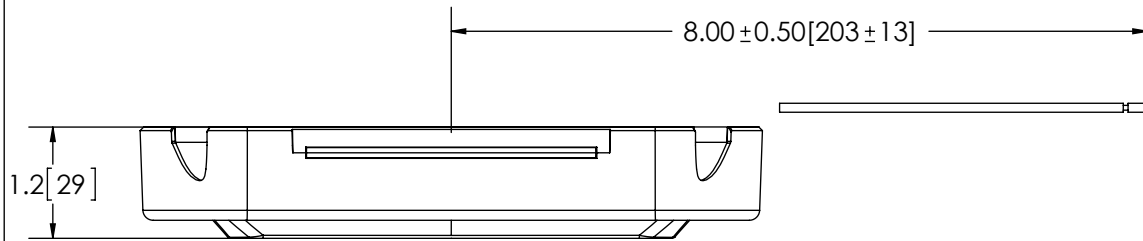
LED HEAD, RECTANGLE, 12-24V

CUSTOMER PART NO. **SEE CHART** PRODUCT SERIES: **3800**

SIZE: **A** DWG. NO. **3811X** REV. **B**

NON DISCLOSURE AGREEMENT
 THIS DRAWING AND THE DESIGN IT DISCLOSES ARE THE PRIVATE PROPERTY OF ECCO AND IS ISSUED IN CONFIDENCE FOR ENGINEERING INFORMATION ONLY. THE DRAWING AND / OR DESIGN MAY NOT BE USED, COPIED, REPRODUCED, OR OTHERWISE DISCLOSED IN PART OR AS A WHOLE TO OUTSIDERS OR USED FOR ANY OTHER PURPOSE WITHOUT THE PRIOR WRITTEN CONSENT OF ECCO. THE DRAWING IS SUBJECT TO RECALL AT ANY TIME. YOUR POSSESSION OF THIS DOCUMENT CONSTITUTES ACCEPTANCE OF THESE TERMS. © 2013 ECCO





4-22 AWG WIRES
 RED - POSITIVE(+)
 BLACK - NEGATIVE(-)
 YELLOW - SYNC
 BLUE - FLASH PATTERN SET

REVISION HISTORY		
REV.	DESCRIPTION	DATE
03	REVISED PER LM11233	2013-02-25
A	INITIAL RELEASE PER LM11233	2013-02-26
B	REVISE PER LM11233	2013-06-06

SPECIFICATIONS

- CERTIFICATIONS: **CE**; ECE R10; SAE J595 (NOV. 2008),
 Note: Unique components, accessories, and hardware kits are not typically included in the Product Certification Test Protocols. Unless otherwise Specified, the Product Certifications referred to herein are predicated upon the base product model configuration.
- FLASH MODE: SINGLE : 120 ± 5 FLASHES PER MINUTE
 DOUBLE : 120 ± 5 FLASHES PER MINUTE
 QUAD : 130 ± 5 FLASHES PER MINUTE
- VOLTAGE (NOMINAL): 12 to 24 VDC
- VOLTAGE (EXTREME): 9.0 to 32 VDC
- CURRENT (PEAK): SEE CHART (@ 12 VDC NOMINAL)
- POWER (MAXIMUM): SEE CHART (@ 12 VDC NOMINAL)
- TEMPERATURE RANGE: -22°F (-30°C) TO 122°F (50°C)
- CONNECTION: 4-22 AWG WIRES
- MOUNTING: GROMMET
- BASE MATERIAL: POLYCARBONATE
- LENS MATERIAL: POLYCARBONATE
- PRODUCT WEIGHT: 0.3 LBS (0.14 Kg)

FGS PRODUCT CHART				
FGS. NO.	COLOR	CURRENT (PEAK)@12VDC	POWER (PEAK)@12VDC	SAE J595 (2008)
3861A	AMBER	0.3	4.3	CLASS 1
3861B	BLUE	0.4	4.9	CLASS 1
3861C	CLEAR	0.4	4.9	CLASS 1
3861R	RED	0.3	4.3	CLASS 1

SCALE 1:2		APPROVALS	DATE
CAD GENERATED DRAWING DO NOT MANUALLY UPDATE. MODEL REFERENCED:A		DRAWN BY BND	2013-06-04
TOLERANCES ARE IN INCHES, AND MILLIMETERS TOLERANCES ARE:		CHECKED MDH	2013-06-05
MILLIMETERS DECIMALS XX. ± 1.0mm XX.X ± 0.5mm	INCHES DECIMALS X.X ± 0.1 X.XX ± 0.04 X.XXX ± 0.02	MECH. ENG. JLA	2013-06-04
	ANGLES ± 0.5° FRACTIONS ± 1/64	ELEC. ENG. TJT	2013-06-04
		TEST ENG. JRT	2013-06-06
		SALES. GLB	2013-06-05

ECCO® Electronic Controls Co.
 833 West Diamond Street, Boise, ID 83705
 800-635-5900
 www.eccolink.com

LED HEAD, OVAL, 3800, 12-24V

CUSTOMER PART NO. **SEE CHART** PRODUCT SERIES: **3800**

SIZE: **A** DWG. NO. **3861X** REV. **B**

NOTES:
 1. DIMENSIONS IN INCHES [MILLIMETERS (FOR REFERENCE)]

NON DISCLOSURE AGREEMENT

THIS DRAWING AND THE DESIGN IT DISCLOSES ARE THE PRIVATE PROPERTY OF ECCO AND IS ISSUED IN CONFIDENCE FOR ENGINEERING INFORMATION ONLY. THE DRAWING AND / OR DESIGN MAY NOT BE USED, COPIED, REPRODUCED, OR OTHERWISE DISCLOSED IN PART OR AS A WHOLE TO OUTSIDERS OR USED FOR ANY OTHER PURPOSE WITHOUT THE PRIOR WRITTEN CONSENT OF ECCO. THE DRAWING IS SUBJECT TO RECALL AT ANY TIME. YOUR POSSESSION OF THIS DOCUMENT CONSTITUTES ACCEPTANCE OF THESE TERMS. © 2013 ECCO

